

# **Finance & Administration Committee Meeting**

August 18, 2020

4:00 p.m.

1. **USDA Loan Discussion – Pavement of streets** – Walt Downing/Joel Howard/Director Gray
2. **Discussion on the 2021 Multimodal Grant** – Mayor Hanson
3. **Update on the North Main Street Property** – Director Mack/Director Fisher
4. **Discussion on the RFP on Valley Street Property** – Director Mack/Director Rose
5. **Discussion on City of Covington Code** – Department Head Dismissal – Mayor Hanson
6. **Discussion on payment of overage in vacation/comp time** – Director Dunn/Director Rose
7. **Discussion on Grammar School Property/Conversion Process** – Mayor Hanson/Director Mack/Attorney Witherington
8. **Discussion on Asphalt Roller** – Director Gray



United States Department of Agriculture  
 CPAP - Community Program Application Processing



## CPAP - Bond Schedule Detail

Amount of Loan	1000000	Name of Borrower:	Covington	Annual Interest Rate	0.0225
Number of Initial Interest Only Payments	0	Number of principal and/or Interest Payments	20	This is a split payment bond.	No
Payment Frequency	Annual	Interest Payment Units.			.01
Principal Payment Units	1				

Year	Period	Number	Payment	Interest	Principal	Balance
2021	1	1	62650	22500	40150	959850
2022	1	2	62649.62	21596.62	41053	918797
2023	1	3	62649.93	20672.93	41977	876820
2024	1	4	62650.45	19728.45	42922	833898
2025	1	5	62649.7	18762.7	43887	790011
2026	1	6	62650.24	17775.24	44875	745136
2027	1	7	62649.56	16765.56	45884	699252
2028	1	8	62650.17	15733.17	46917	652335
2029	1	9	62649.53	14677.53	47972	604363
2030	1	10	62650.16	13598.16	49052	555311
2031	1	11	62650.49	12494.49	50156	505155
2032	1	12	62649.98	11365.98	51284	453871
2033	1	13	62650.09	10212.09	52438	401433
2034	1	14	62650.24	9032.24	53618	347815
2035	1	15	62649.83	7825.83	54824	292991
2036	1	16	62650.29	6592.29	56058	236933
2037	1	17	62649.99	5330.99	57319	179614
2038	1	18	62650.31	4041.31	58609	121005
2039	1	19	62649.61	2722.61	59927	61078
2040	1	20	62452.25	1374.25	61078	0
<b>TOTALS</b>			<b>\$1,252,802.44</b>	<b>\$252,802.44</b>	<b>\$1,000,000.00</b>	



United States Department of Agriculture  
 CPAP - Community Program Application Processing



## CPAP - Bond Schedule Detail

Name of Borrower: Covington	
Amount of Loan	1500000
Annual Interest Rate	0.0225
Number of Initial Interest Only Payments	0
Number of principal and/or Interest Payments	20
Payment Frequency	Annual
This is a split payment bond.	No
Principal Payment Units	1
Interest Payment Units	.01

Year	Period	Number	Payment	Interest	Principal	Balance
2021	1	1	93975	33750	60225	1439775
2022	1	2	93974.93	32394.93	61580	1378195
2023	1	3	93975.38	31009.38	62966	1315229
2024	1	4	93974.65	29592.65	64382	1250847
2025	1	5	93975.05	28144.05	65831	1185016
2026	1	6	93974.86	26662.86	67312	1117704
2027	1	7	93975.34	25148.34	68827	1048877
2028	1	8	93974.73	23599.73	70375	978502
2029	1	9	93975.29	22016.29	71959	906543
2030	1	10	93975.21	20397.21	73578	832965
2031	1	11	93974.71	18741.71	75233	757732
2032	1	12	93974.97	17048.97	76926	680806
2033	1	13	93975.13	15318.13	78657	602149
2034	1	14	93975.35	13548.35	80427	521722
2035	1	15	93974.74	11738.74	82236	439486
2036	1	16	93975.43	9888.43	84087	355399
2037	1	17	93975.47	7996.47	85979	269420
2038	1	18	93974.95	6061.95	87913	181507
2039	1	19	93974.9	4083.9	89891	91616
2040	1	20	93677.36	2061.36	91616	0
<b>TOTALS</b>			<b>\$1,879,203.45</b>	<b>\$379,203.45</b>	<b>\$1,500,000.00</b>	



United States Department of Agriculture  
 CPAP - Community Program Application Processing



## CPAP - Bond Schedule Detail

Name of Borrower: Covington	
Amount of Loan	2000000
Annual Interest Rate	0.0225
Number of Initial Interest Only Payments	0
Number of principal and/or Interest Payments	20
Payment Frequency	Annual
This is a split payment bond.	No
Principal Payment Units	1
Interest Payment Units.	.01

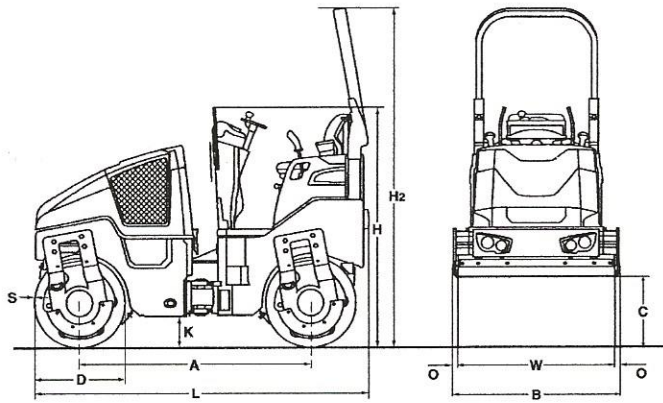
Year	Period	Number	Payment	Interest	Principal	Balance
2021	1	1	125300	45000	80300	1919700
2022	1	2	125300.25	43193.25	82107	1837593
2023	1	3	125299.84	41345.84	83954	1753639
2024	1	4	125299.87	39456.87	85843	1667796
2025	1	5	125300.41	37525.41	87775	1580021
2026	1	6	125300.47	35550.47	89750	1490271
2027	1	7	125300.09	33531.09	91769	1398502
2028	1	8	125300.29	31466.29	93834	1304668
2029	1	9	125300.03	29355.03	95945	1208723
2030	1	10	125300.26	27196.26	98104	1110619
2031	1	11	125299.92	24988.92	100311	1010308
2032	1	12	125299.93	22731.93	102568	907740
2033	1	13	125300.15	20424.15	104876	802864
2034	1	14	125300.44	18064.44	107236	695628
2035	1	15	125299.63	15651.63	109648	585980
2036	1	16	125299.55	13184.55	112115	473865
2037	1	17	125299.96	10661.96	114638	359227
2038	1	18	125299.6	8082.6	117217	242010
2039	1	19	125300.22	5445.22	119855	122155
2040	1	20	124903.48	2748.48	122155	0
<b>TOTALS</b>			<b>\$2,505,604.39</b>	<b>\$505,604.39</b>	<b>\$2,000,000.00</b>	

# TECHNICAL DATA

TANDEM ROLLERS

BW 100 AD-5, BW 120 AD-5





**Dimensions in in**

	<b>A</b>	<b>B</b>	<b>C</b>	<b>D</b>	<b>H</b>	<b>H2</b>	<b>K</b>	<b>L</b>	<b>O</b>	<b>S</b>	<b>W</b>
<b>BW 100 AD-5</b>	69.0	42.2	20.6	27.6	71.2	101.1	10.0	99.6	1.4	0.51	39.4
<b>BW 120 AD-5</b>	69.0	50.1	20.6	27.6	71.2	101.1	10.0	99.6	1.4	0.51	47.2

**Shipping dimensions in cub.yd**

**BW 100 AD-5**  
**BW 120 AD-5**

**without ROPS**

6.413  
7.614

**with ROPS**

9.106  
10.811

<b>Machine type</b>	<b>Compaction output (cub.yd/h) at recommended soil layer thicknesses</b>		
	<b>Gravel, sand</b>	<b>Mixed soil</b>	<b>Silt, clay</b>
BW 100 AD-5	104.6-189.7	71.9-137.3	49.7-95.5
BW 120 AD-5	111.2-222.4	85.0-163.5	56.2-111.2

<b>Machine type</b>	<b>Compaction output (t/h) at different asphalt layer thicknesses</b>		
	<b>0.8-1.6 in</b>	<b>2.4-3.1 in</b>	<b>3.9-4.7 in</b>
BW 100 AD-5	19.6-52.3	52.3-78.5	78.5-130.8
BW 120 AD-5	26.2-58.9	52.3-91.6	91.6-157.0

## Technical Data

### BOMAG BW 100 AD-5

### BOMAG BW 120 AD-5

#### Weights

Operating weight w. ROPS CECE .....	lb	5.732	6.063
Average static linear load CECE .....	lb/in	72.8	64.2
Grossweight .....	lb	7.496	7.716

#### Dimensions

Working width .....	in	39.4	47.2
Track radius, inner .....	in	100.4	96.5

#### Driving Characteristics

Speed .....	mph	0- 6.2	0- 6.2
Working speed with vibration .....	mph	0- 6.2	0- 6.2
Max. gradeability without/with vibr. ....	%	40/30	40/30

#### Drive

Engine manufacturer .....		Kubota	Kubota
Type .....		D1803	D1803
Emission stage .....		Stage V / TIER4f	Stage V / TIER4f
Exhaust gas aftertreatment .....		DPF	DPF
Cooling .....		water	water
Number of cylinders .....		3	3
Performance ISO 14396 .....	hp	33.0	33.0
Performance SAE J 1995 .....	hp	33.0	33.0
Speed .....	min-1	2.600	2.600
Speed adjustment 1 .....	min-1	2.500	2.500
Speed adjustment 2 .....	min-1	2.600	2.600
Electric equipment .....	V	12	12
Driven drum .....		front + rear	front + rear

#### Brakes

Service brake .....		hydrost.	hydrost.
Parking brake .....		hydromec.	hydromec.

#### Steering

Steering system .....		oscil.artic.	oscil.artic.
Steering method .....		hydrost.	hydrost.
Steering / oscillating angle +/- .....	deg	32/10.0	32/10.0
Crab walk .....		0- 50	0- 50

#### Exciter system

Vibrating drum .....		front + rear	front + rear
Drive system .....		hydrost.	hydrost.
Frequency .....	vpm	3,780.0/4,020.0	3,780.0/4,020.0
Amplitude .....	in	0.020	0.020
Centrifugal force .....	lb	29.77/33.67	36.04/40.76

#### Sprinkler System

Type of sprinkling .....		pressure	pressure
--------------------------	--	----------	----------

#### Capacities

Fuel .....	gal	9.2	9.2
Water .....	gal	54.2	54.2

Technical modifications reserved. Machines may be shown with options.

### Standard Equipment

- Hydrostatic travel and vibration drive
- Travel drive in series
- 2 scrapers per drum, spring loaded and tiltable
- Pressure sprinkler system with interval switch
- Multi function travel lever
- Multi-function display incl. operating hour meter
- Water level
- Emergency STOP
- Individual control, vibration
- Intelligent Vibration Control (IVC)
- Integrated stowage compartment
- Adjustable operator's seat
- Seat contact switch
- Vandalism protection
- 12V socket
- Working lights front and rear
- Back-up alarm
- Lashing eyes, galvanized
- Single point lifting device
- Lockable engine hood made of composite material

### Optional Equipment

- \* Foldable ROPS incl. seat belt
- Sun roof, foldable with ROPS
- Weather protection for sun roof
- Seat heating
- Sliding seat incl. double travel lever
- ECONOMIZER with asphalt temperature display
- Temperature display
- BOMAG TELEMATIC
- Indicator and hazard lights
- Rotary beacon
- Optional lighting on ROPS
- Lighting for drum edge
- Battery disconnect switch
- Environmentally compliant hydraulic oil
- Theft protection
- Edge cutter-right/left
- Gravel scatterer
- Hydraulically adjustable crabwalk (2.0in)
- Pointer
- Special painting
- Backup warning buzzer with broadband technology
- Flow divider

\* Standard delivery with CE conformity  
(valid within European Union)

